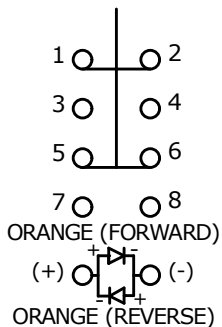
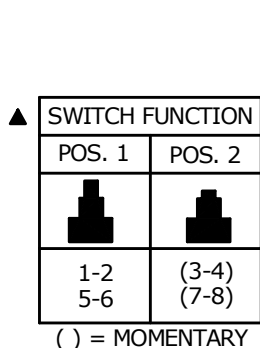
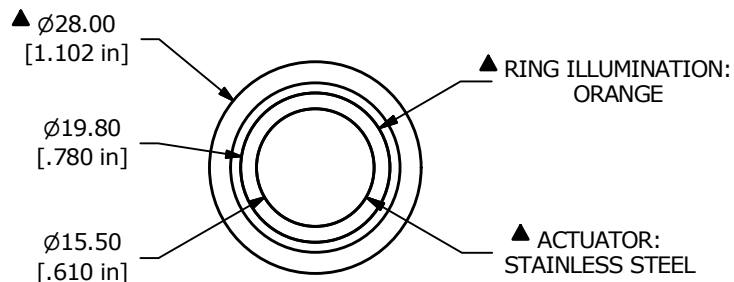
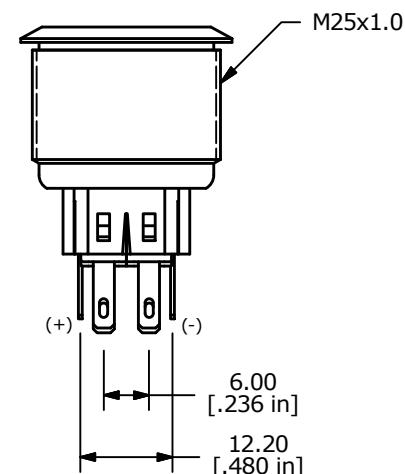
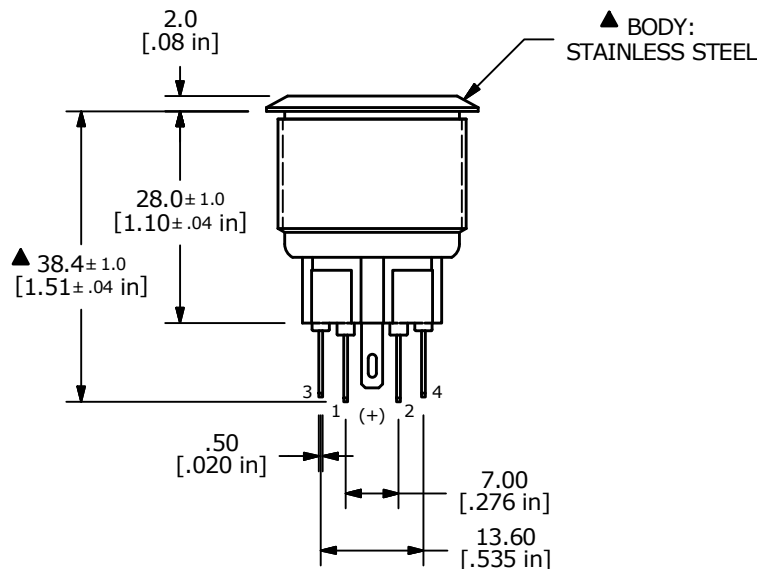


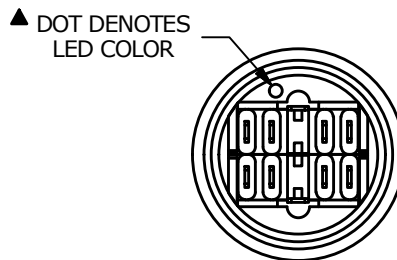
RECOMMENDED PANEL CUTOUT
MAX. PANEL THICKNESS 10mm



▲ DPDT ON (OFF) / OFF (ON)
CONTACT CONFIGURATION



- NOTE:
1. ALL DIMENSIONS IN MM [INCH]
 2. GENERAL TOLERANCE: X.X = ± 0.4
X.XX = ± 0.25
 3. TERMINAL NOS. FOR REF. ONLY
 - ▲ 4. RATING: 2A @ 48VDC
 - ▲ 5. ILLUMINATION VOLTAGE: 1.8V FORWARD, 1.8V REVERSE
 6. CONTACT RESISTANCE: 50mΩ MAX. @ 1A 12VDC
 7. INSULATION RESISTANCE: 1,000MΩ @ 500VDC
 8. DIELECTRIC STRENGTH: 2,000VAC MIN. FOR 1 MINUTE
 9. ELECTRICAL LIFE: 50,000 CYCLES
 10. OPERATING TEMPERATURE: -20°C TO 55°C
 11. INGRESS PROTECTION: IP65
 12. SUPPLIED HARDWARE: O-RING AND HEXNUT
 13. ▲ DENOTES CRITICAL PARAMETER
 14. 2011/65/EU (ROHS) COMPLIANT



A	22702	NEW RELEASE	1/31/17	MJR
REV	PCR NO	DESCRIPTION	DATE	BY

TITLE PV8F2V0SS-321				
SCALE 1:1	DATE 1/31/2017	DR MJR	DWG 52-PV8F2V0SS321	REV A

THE INFORMATION CONTAINED IN THIS DOCUMENT IS PROPRIETARY TO E-SWITCH AND IS NOT TO BE COPIED OR TRANSFERRED